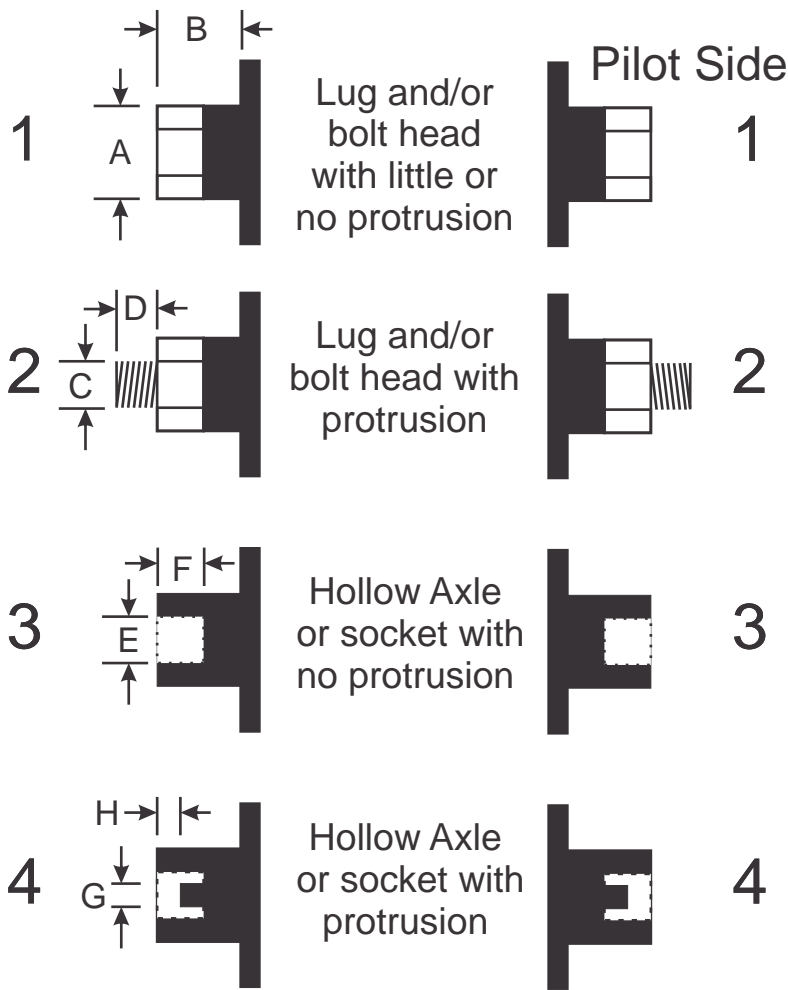


NAME: _____
 PH/FAX _____
 Email _____
 Aircraft Mfg: _____
 Aircraft Model: _____
 Year/Variants: _____

**Northwest Mfg. Nosewheel
 Adaptor Measurement Sheet**
 sales@powertow.com
 FAX: 208-635-5251

Circle best choice for each side



Shapes Above Represent Aircraft Tow Points

**PASSENGER
SIDE**

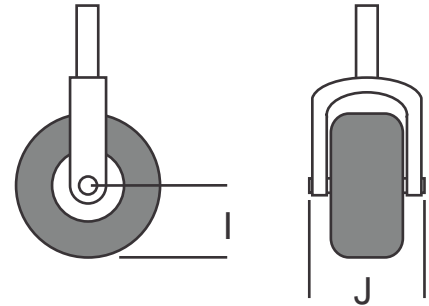
**PILOT
SIDE**

A:	B:	A:	B:
C:	D:	C:	D:
E:	F:	E:	F:
G:	H:	G:	H:

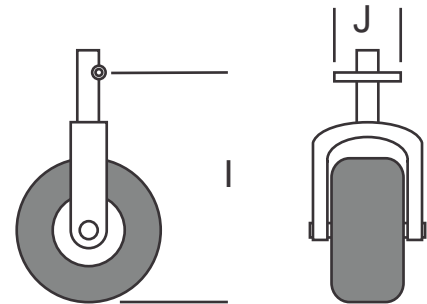
FILL IN ALL NUMBERS FOR EACH SIDE THAT APPLY
 example 1: style 2 will have dimensions A, B, C, D
 example 2: style 4 will have dimensions E, F, G, H

Circle best choice

Tow Point At Axle

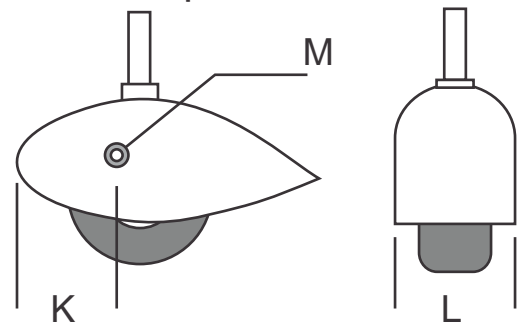


Non-Axle Tow Point



I: J:

If Airplane Has Pants



K (distance from front of pants to tow point)
 L (overall width of pants)
 M (if tow point is inside pants; diameter of opening)

K: M (pilot side):

L: M (other side):