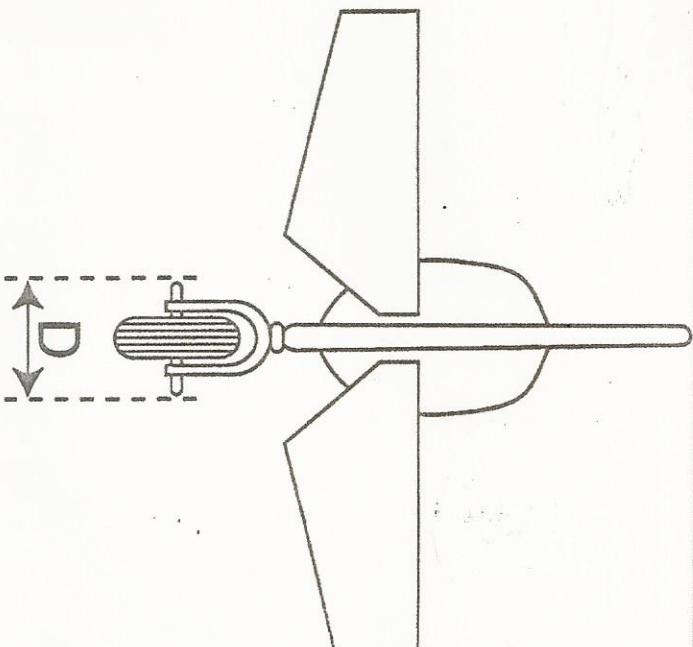
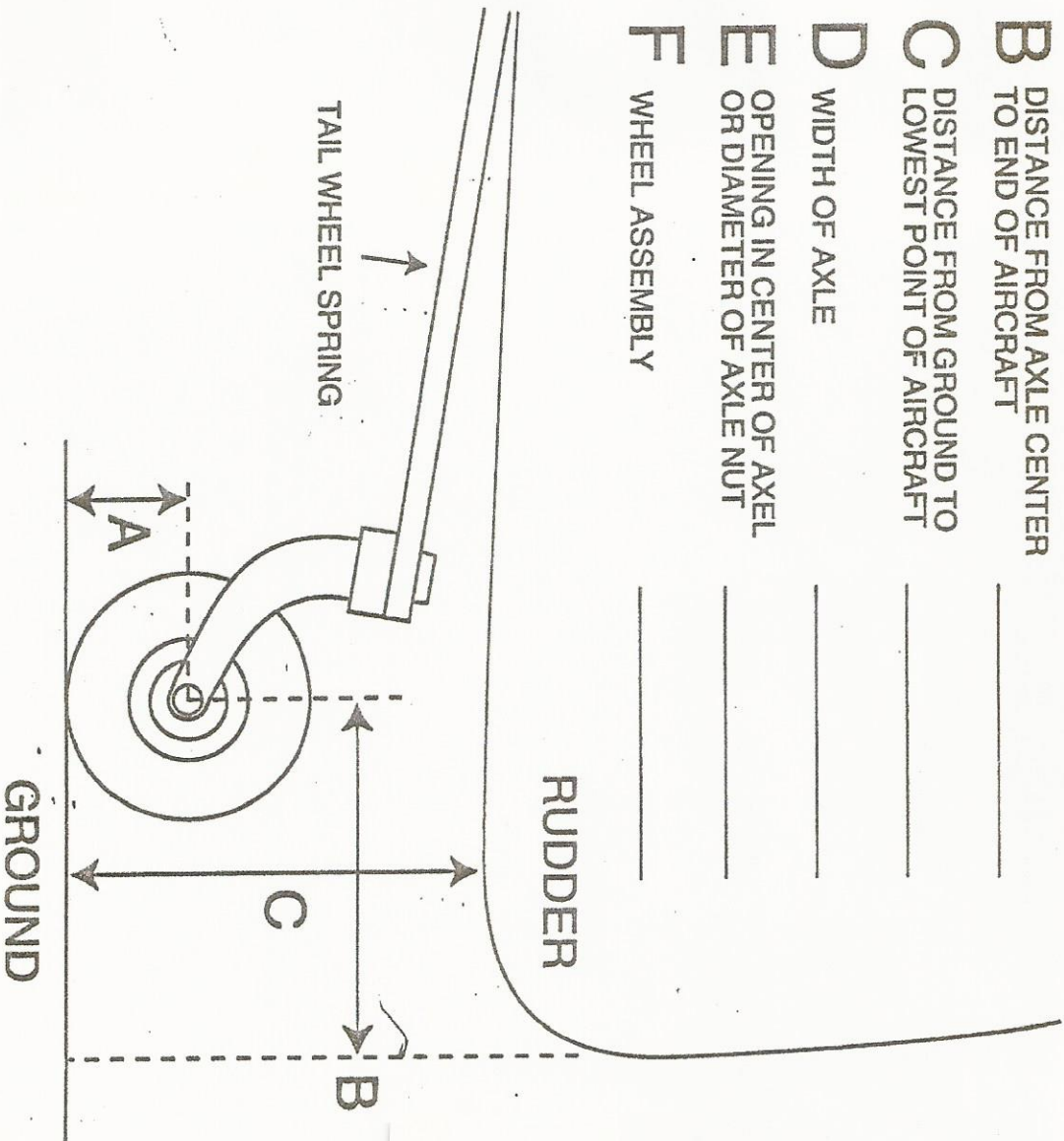


DETERMINING POWERTOW ADAPTER FOR TAIL DRAGGERS

- A** DISTANCE FROM GROUND TO CENTER OF AXLE _____
- B** DISTANCE FROM AXLE CENTER TO END OF AIRCRAFT _____
- C** DISTANCE FROM GROUND TO LOWEST POINT OF AIRCRAFT _____
- D** WIDTH OF AXLE _____
- E** OPENING IN CENTER OF AXEL OR DIAMETER OF AXLE NUT _____
- F** WHEEL ASSEMBLY _____

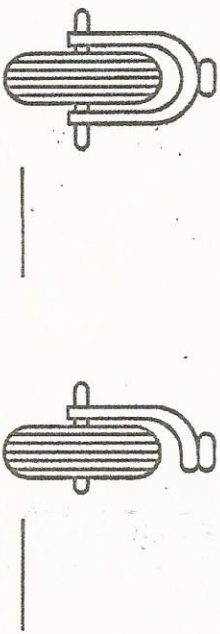


E. Determine if you have hook up

1. Into the center of the axle or; _____

2. If you are going around the axle nut. _____

F
WHEEL ASSEMBLY



POWERTOW BY NORTHWEST MFG., INC.

10179 N. NAVION DR. • HAYDEN, IDAHO 83835 • (208) 635-5352 • FAX: (208) 635-5251