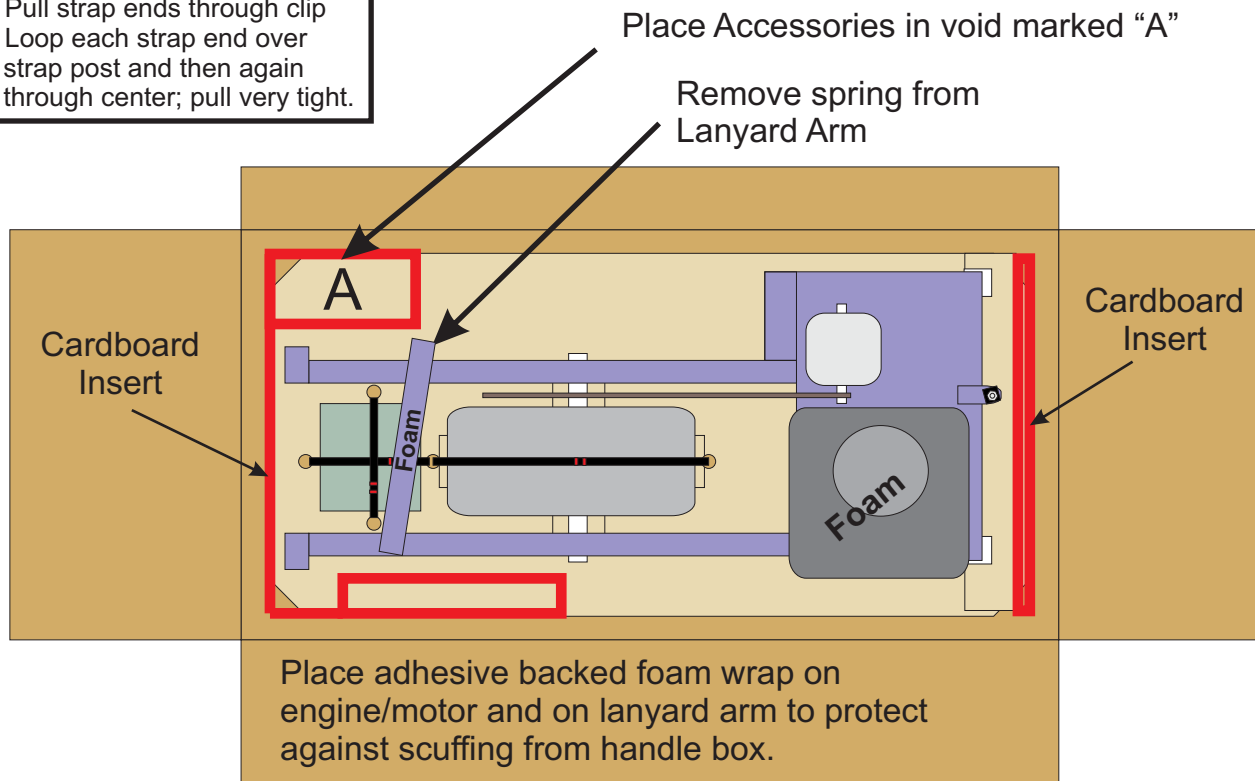
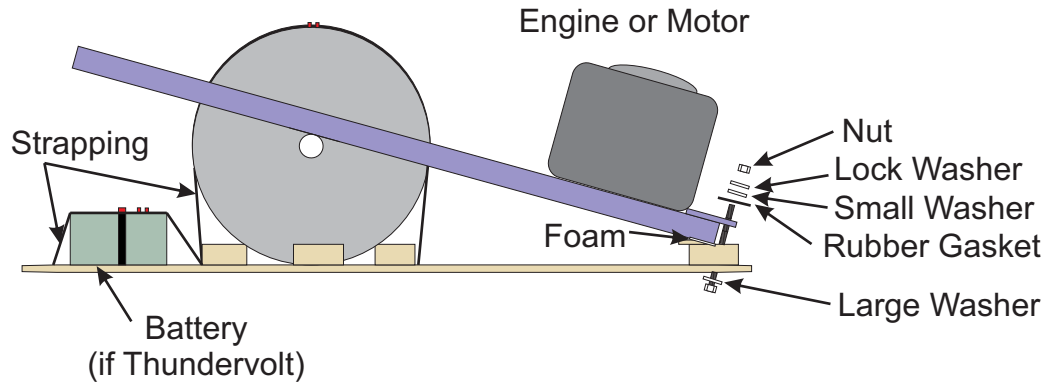
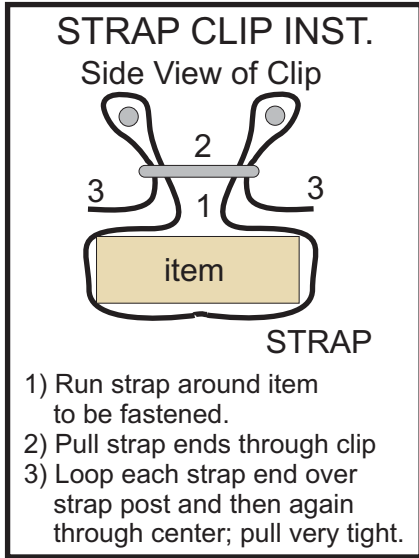


HOW TO REPACK A POWERTOW

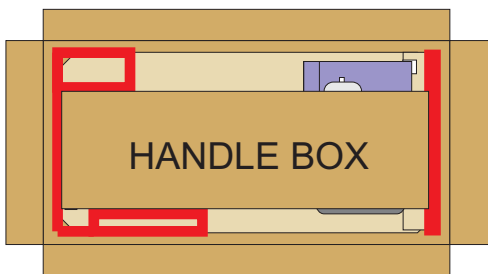
Place unit on board so the rear frame of the machine fits over small plywood squares. foam wrap protects the frame from scuffing.

Strap down tire (and battery if unit is a Thundervolt) with plastic strapping.

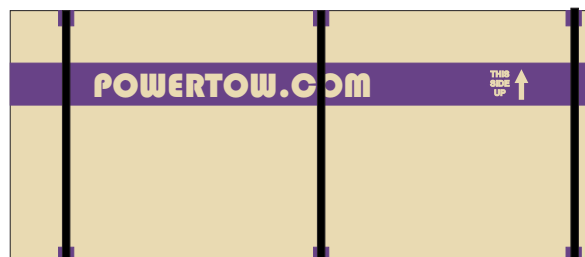
Use included bolt, nut, washers and rubber gasket to secure back of unit to board. Tighten until lock washer is fully compressed but not so much as to bend blue tab.



DRAIN OIL AND GAS OR DAMAGE WILL OCCUR IN SHIPPING.



Top View Showing Handle Box



Side View Showing Strap Location